



Submittal Data Sheet

EC350ID In-Line Fan

Job Name: _____

Equipment Rep: _____

Contractor: _____

Prepared By: _____

Arch./Engr.: _____

Date: _____

Description:

The ECID Series are designed for installation in ducts. These fans are known for their economical use of energy and ease of control. They can be varied in speed to match an application's demand, and operate at high efficiency levels. For the same air volume, they consume considerably less energy than a standard fan with an AC motor. The housing is manufactured from galvanized sheet metal with the seams folded for an air tight casing. All fans have a minimum 1" long connection collar. ECID-Series have backward inclined blades and external rotor EC motors.

The fan is delivered with a pre-wired potentiometer (0-10V) to fine tune desired speed. The fan motor can also be controlled via a 0-10Vdc signal.

Use with the MPC-Series Modulating Pressure Controller for an Automatic-Variable Speed system which will modulate to always deliver the correct amount of exhaust or supply air.

Housing Construction:

Galvanized steel

Impeller:

Backward inclined

Motor:

ECM 120/1/60 VAC, 74 Watts

Max Temperature:

140° F / 60° C

Weight:

13.6 Lbs

Listings:

UL/ULC

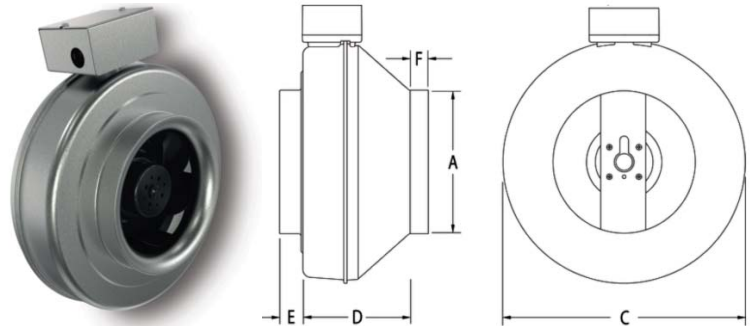


Warranty:

1 year mechanical

Optional Controls & Equipment:

- MPC Modulating Pressure Controller
- MPC1 Modulating Pressure Controller Interlocked
- MAC1E Multiple Appliance Control
- MAC4E Multiple Appliance Control
- IPS-1 Indoor Pressure Sensor Decorative Cover
- FFP-1 Freeze and Fire Protection Limit (FFP-1 For combustion air applications only!)



| Model | A | C | D | E | F |
|---------|---|--------|---|---|---|
| EC350ID | 6 | 13 1/8 | 7 | 1 | 1 |

Dimensions in inches

