



TJERNLUND PRODUCTS, INC.

1601 Ninth Street • White Bear Lake, MN 55110-6794
PHONE (800) 255-4208 • (651) 426-2993 • FAX (651) 426-9547
Visit our web site • www.tjernlund.com



READ OWNERS INSTRUCTIONS CAREFULLY PRIOR TO INSTALLATION. SAVE THESE INSTRUCTIONS.

IMPORTANTES POUR LA SÉCURITÉ. CONSERVEZ CES INSTRUCTIONS.

DRYER DUCT BOOSTER® FAN MODEL LB2XL



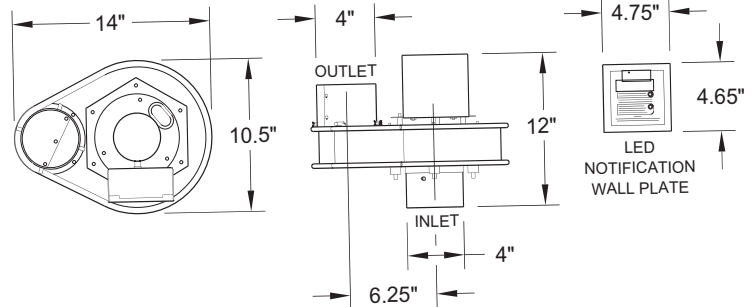
DESCRIPTION & PURPOSE

Incorporating dryer booster fans in clothes dryer ducts has increased substantially with the placement of laundry rooms not adjacent to outside walls. Duct runs often exceed 25 equivalent feet (90 degree elbows equal 5 additional feet of duct length, 45 degree elbows equal 2.5 feet) that many clothing dryer manufacturers set as a maximum duct length. The LB2XL booster fan is rated for duct lengths up to 120 equivalent feet.

LB2XL SPECIFICATIONS & COMPONENTS

MODEL LB2XL

- Blower: 230 cfm
- Motor: 115 Volts ~ 60 Hz
0.92 amps maximum
- Impeller: Reverse inclined, particulate handling
- Components: (1) LB2XL wired fan assembly
(1) Notification Panel
(1) 16 gauge galvanized steel mounting bracket
(1) mounting hardware packet



INSTALLATION RESTRICTIONS

⚠ WARNING

This product has rotating parts, do not plug into power if duct is not connected on both ends of Dryer Duct Booster®.

The installation must comply with local electrical and mechanical, fuel gas, or building codes, and must be inspected and accepted by local authorities having jurisdiction.

CAUTION: DO NOT INSTALL IN AN EXHAUST DUCTWORK OF A CLOTHES DRYER WHOSE INSTRUCTIONS PROHIBIT THE INSTALLATION OF A CLOTHES DRYER BOOSTER FAN. **ATTENTION:** NE PAS INSTALLER DANS LE CONDUIT D'ÉVACUATION DE LA SÈCHEUSE SI LES INSTRUCTIONS INTERDISSENT L'INSTALLATION D'UN VENTILATEUR AUXILIAIRE.

CAUTION: DO NOT INSTALL IN AN EXHAUST DUCTWORK WHERE THE EQUIVALENT DUCT LENGTH IS LESS THAN OR EQUAL TO 7.62 METERS (25 FT). **ATTENTION:** NE PAS INSTALLER DANS UN CONDUIT D'ÉVACUATION MESURANT 7,62 MÈTRES (25 PI) DE LONGUEUR OU MOINS.

CAUTION: Do not install less than 5 linear feet (1.524 Meters) from clothes dryer exhaust outlet.
Do not exhaust air in excess of 167° F (75° C).

The Dryer Booster Fan must be accessible after the installation is completed.

WARNING - If no lights are on, or a blinking or solid Red LED is displayed on the Notification Panel, turn off clothes dryer and reference "Notification Panel Status Modes" section of these instructions on page 3.

WARNING - TO REDUCE THE RISK OF FIRE, ELECTRICAL SHOCK, OR INJURY TO PERSONS, OBSERVE THE FOLLOWING:

- 1) Your clothing dryer installation incorporates a dryer exhaust duct power ventilator (DEDPV) which may be in a different location than your dryer, such as in an attic, crawl space or basement.

- 2) Your clothing dryer depends on the DEDPV Booster Fan for its safe and efficient operation. Operating your dryer without a functional DEDPV will result in inefficient dryer operation, excess energy consumption and a possible fire hazard. See warnings on the Notification Panel.
- 3) The Notification Panel shall be permanently installed within the space in which the clothes dryer is installed. In the case of a dryer installed in an alcove provided with a door or doors, the Notification Panel shall be permanently installed within the alcove or be immediately adjacent to the doors of the alcove. The Notification Panel shall be located where it will be readily visible after the dryer is installed without having to open any doors other than those necessary to access the dryer.

AVERTISSEMENT - POUR RÉDUIRE LE RISQUE D'INCENDIE, DE CHOC ÉLECTRIQUE OU DE BLESSURE, RESPECTER LES CONSIGNES QUI SUIVENT:

- 1) Votre sècheuse est équipée d'un ventilateur auxiliaire qui peut être installé loin de la sècheuse, comme dans un grenier, un vide sanitaire ou un sous-sol.
- 2) Le ventilateur auxiliaire est essentiel au fonctionnement sécuritaire de la sècheuse. Désactiver ce ventilateur nuira au fonctionnement de la sècheuse, entraînera une augmentation de la consommation d'électricité et possiblement un risque d'incendie. Lire la mise en garde sur le panneau d'indication d'alarme.
- 3) Le panneau d'alarme doit être installé de façon permanente dans l'espace où se trouve la sècheuse. Si la sècheuse est installée dans une alcôve fermée par une porte, le panneau d'alarme doit être installé dans l'alcôve ou à proximité immédiate de la porte de l'alcôve. Le panneau d'alarme doit être visible une fois la sècheuse installée sans avoir à ouvrir une porte autre que celle donnant accès à la sècheuse.

The LB2XL must be installed in an area in which ambient air temperatures are between -20° F and 140° F (-29° C and 60° C) and ambient humidity does not exceed 85% relative humidity.

Do not install the LB2XL in a position where dryer exhaust temperatures exceed 167°F (75° C) at LB2XL inlet. LB2XL thermal fuse is set at 186° - 196° F (86 - 91° C).

IMPORTANT: The dryer duct in which the LB2XL is installed must terminate with a dryer exhaust hood with a flapper or have a back-draft damper installed near the exterior termination.

MINIMUM AND MAXIMUM DRYER DUCT LENGTH IN EQUIVALENT FEET*

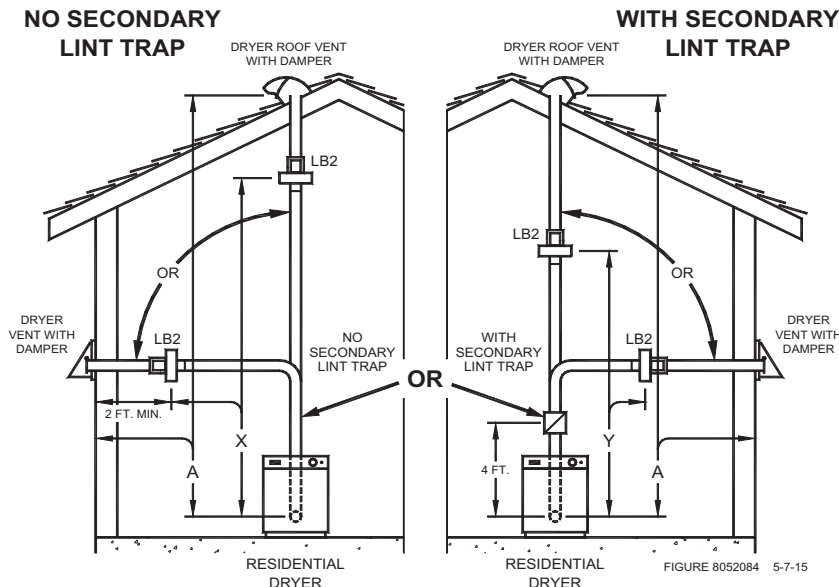
This product is intended for use in 4" diameter dryer exhaust ducts from 30 to 120 equivalent feet* in length.

*Equivalent feet equals linear feet plus 5 additional feet for each 90° elbow and 2.5 feet for each 45° elbow (assumes 4" diameter rigid metal duct).

Dryer Booster Fan Distance from Dryer and Termination Hood

The Dryer Booster fan positioning is based on the total Duct Length Equivalent Feet*. Calculate the Total Duct Length Equivalent Feet and reference how close the Dryer Booster can be installed to the Dryer without a Secondary Lint Trap (Column X) or with a Secondary Lint Trap (Column Y). The Dryer Booster **should not** be installed closer to the Dryer than what is indicated in those columns. If a Secondary Lint Trap (Tjernlund model LT4) is needed, it must be installed about 4 linear feet from the Dryer and the Booster must be installed after the Secondary Lint trap (between the Secondary Lint Trap and outdoor termination hood).

For best performance install Dryer Booster no closer than 2 feet from the termination to the outdoors and avoid installing elbows within 2 feet of the Dryer Booster.



Total Duct Length In Equivalent Feet* (A)	LB2XL Minimum Distance From Dryer In Equivalent Feet*	
	With No Secondary Lint Trap (X)	With Secondary Lint Trap 4 Feet from Dryer (Y)
30	15	8
40	20	8
50	25	8
60	30	8
70	30	10
80	35	10
90	35	15
100	40	15
110	40	20
120	40	20

A = DRYER VENT DUCT TOTAL EQUIVALENT LENGTH.
 X = SHORTEST DISTANCE LB2 CAN BE TO DRYER WITHOUT SECONDARY LINT TRAP. SEE TABLE.
 Y = SHORTEST DISTANCE LB2 CAN BE TO DRYER WITH SECONDARY LINT TRAP. SEE TABLE.

MOUNTING DRYER DUCT BOOSTER

Do not install the LB2XL with the discharge facing down, (See Diagram A).

Do not install the LB2XL in an orientation where the sensing tube port points directly down where it might fill with condensation. By design, the sensing tube port is offset so it does not point directly down in this mounting orientation. If the LB2XL is mounted to warped or not square material, the sensing tube may end up pointing directly down where condensation can pool in sensing tube port, (See Diagram B).

DIAGRAM A



DIAGRAM B

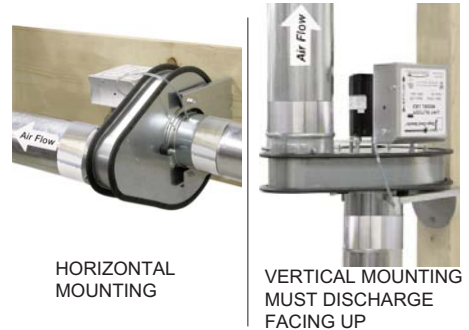
IF INSTALLING THE LB2XL IN THIS ORIENTATION, MAKE SURE THE SENSING PORT DOES NOT POINT DIRECTLY DOWN WHERE CONDENSATION CAN POOL IN SENSING TUBE PORT. THIS MIGHT OCCUR IF LB2XL IS MOUNTED TO MATERIAL THAT IS WARPED OR NOT SQUARE.



NOTE: Do not use screws in the dryer duct installation. The LB2XL motor can be mounted in a horizontal or vertical orientation. Discharge must face up if mounted vertically, (See Diagram C). Do not install the LB2XL in an orientation where the sensing tube port might fill with condensation, (See Diagram B).

1. Considering dryer duct routing and LB2XL location, use the (4) #10 x 1 3/4" wood screws to secure the mounting bracket to the wood structure using the (4) 3/8" holes in the 1/2 moon portion of the bracket.
2. Based on the desired mounting orientation, position the mounting bracket onto 3 of the 4 vibration isolators located on the LB2XL. Tighten the bracket in place using the (3) provided 1/4" nuts. Do not over tighten or damage to rubber mounting isolators may occur.
3. Insert dryer duct on inlet and outlet of LB2XL and secure using reinforced foil duct tape.

DIAGRAM C



MOUNTING DRYER BOOSTER NOTIFICATION PANEL (MOUNT IN VISIBLE LOCATION BY CLOTHES DRYER)

IMPORTANT: The Notification Panel shall be permanently installed within the space in which the clothes dryer is installed. In the case of a dryer installed in an alcove provided with a door or doors, the Notification Panel shall be installed permanently within the alcove or immediately adjacent to the doors of the alcove. The Notification Panel shall be located where it will be readily visible after the dryer is installed without having to open any doors other than those necessary to access the dryer.

NOTE: The Dryer Duct Booster includes a 50' control cable. If the distance between the Notification Panel and the Dryer Duct Booster is greater than the length of the cable, splice a section of 3 conductor PVC sheathed 19 AWG or larger, 105 degree C thermostat cable to the supplied cable. Make sure the color coded leads remain consistent. An NEC approved accessible junction box and cover must be used to contain the splice. Splices shall be made mechanically secure and insulated with appropriately sized wire nuts or with a similarly approved connection method. Strain relief hardware contained within the NEC approved junction box shall be utilized. Do not use an existing line voltage electrical box to house these low voltage connections. Line voltage to these leads will cause damage to the LB2XL control system and may cause personal and/or property damage.

The Notification Panel Terminal Block may be installed in a remodeling or standard electrical box or without an electrical box.

INSTALLING NOTIFICATION PANEL WITH AN ELECTRICAL BOX

1. Install standard or remodeling single gang electrical box and route control wire from LB2XL into electrical box and leave hanging out for connection to Notification Panel, (See Diagram D).
2. Wire White, Red & Green wires from Dryer Booster cable to Notification Panel terminal block as shown, (See Diagram E)
3. Carefully stuff wires into electrical box, screw Notification Panel terminal block mounting plate to electrical box with Green LED light on top, (See Diagram F). Adhere Notification Panel label to coverplate & screw coverplate to notification panel holder with provided screws, (See Diagram G).

DIAGRAM D

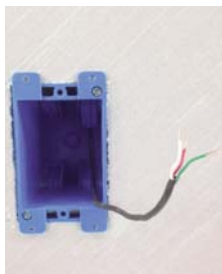


DIAGRAM E



DIAGRAM F



DIAGRAM G



INSTALLING NOTIFICATION PANEL WITHOUT AN ELECTRICAL BOX

1. Cut opening in sheetrock 1-1/4" wide by 2-1/4" tall, hold Notification panel terminal block mounting plate over opening and mark top and bottom holes for wall anchors, (See Diagram H). Once marked, drill 3/16" holes for wall anchors and feed control cable through opening, (See Diagram I).
2. Wire White, Red & Green wires from Dryer Booster cable to Notification Panel terminal block as shown, (See Diagram J)
3. Adhere Notification Panel label to coverplate and screw coverplate to electrical box with provided screws, (See Diagram G). Screw Notification Panel terminal block holder to wall anchors with Green LED light on top, (See Diagram K). Adhere Notification Panel label to coverplate and screw coverplate to notification panel holder with provided screws, (See Diagram L).

DIAGRAM H

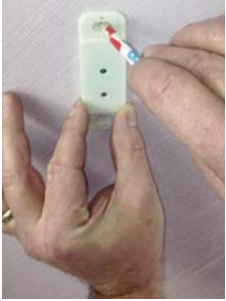


DIAGRAM I



DIAGRAM J



DIAGRAM K



DIAGRAM L



NOTIFICATION PANEL STATUS LIGHTS

- Flashing Red and Green LED's...Control calibrates to exhaust duct pressure drop when 1st plugged in
Slow Flashing Green LED.....Idle state, No dryer operation sensed
Fast Flashing Green LED.....Sensor is detecting dryer turning on or off
Steady Green LED.....Dryer Booster Fan on
Flashing Red LED.....Blockage sensed or Dryer Booster Fan not operating
Steady Red LED.....High temps detected, Dryer Booster Fan is shut off



LB2XL CALIBRATION PROCEDURE

IMPORTANT: Make sure all of the following are performed before supplying power to the LB2XL.

- Confirm the LB2XL and the entire duct system is completely installed and clear of lint. (Required for proper calibration.)
- Confirm the dryer is off and cool.
- Confirm all lint traps are empty of lint and reinstalled in their proper position.
- Confirm the Dryer is Empty of Clothing.
- Confirm the Door on the Dryer is Closed.
- Supply Power to the LB2XL by plugging in the power cord or cycling the power circuit the LB2XL is plugged into.

NOTE: Within 45 seconds of the LB2XL Dryer Booster being supplied power, it will come on and run for up to 45 seconds. This is a calibration period and will only happen when the LB2XL is first powered. During this time the Red and Green LED's on the Notification Panel will both flash quickly in an alternating sequence. Once the calibration process is over, only the Green light will flash and at a much slower pace.

Once the LB2XL has been calibrated and just the Green light is flashing on for 1/2 second, off for 2 seconds, the clothes dryer can be used.

NOTIFICATION PANEL STATUS MODES

MONITOR MODE: (Green LED blinks 1/2 second on, 2 seconds off)

- When the dryer is not operating, the Green LED on the Notification Panel will blink for 1/2 second on, 2 seconds off. This is normal operation and is an indication that the LB2XL is ready for the Dryer to come on.

DRYER TRANSITION MODE: (Green LED flashes rapidly)

- When the dryer is turning on or off, the LB2XL senses the change in pressure. During this time period, the Green LED will flash rapidly 1/2 second on, 1/2 second off.

PROPER VENTING MODE: (Green LED continuously on)

- When the LB2XL is on, the Green LED will be continuously on.

PRESSURE FAULT MODE: (Red LED flashing)

- If at anytime during the calibration or operating cycle of the LB2XL and the Dryer there is excessive pressure sensed, the Notification Panel will flash the Red LED. The LB2XL will continue to operate to try and clear the blockage. Stop the dryer immediately and have the vent system inspected by someone qualified to do so. The power to the LB2XL will need to be removed to clear the fault condition and turn the LB2XL motor off. The LB2XL calibration cycle will need to be performed. (See LB2XL Troubleshooting for complete details)

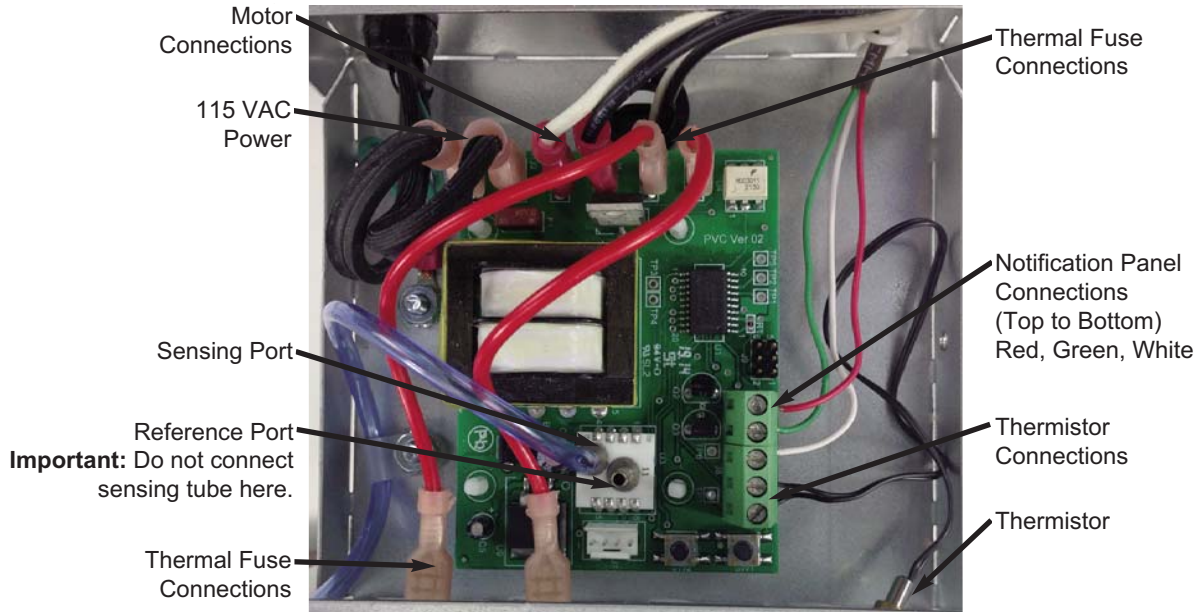
TEMPERATURE FAULT MODE: (Red LED solid)

- If an excess temperature is sensed by the LB2XL, the LB2XL motor will shut off and a constant Red LED will be on at Notification Panel. Stop the dryer immediately and have the vent system inspected by someone qualified to do so. The power to the LB2XL will need to be removed to clear the fault condition and the LB2XL Calibration Procedure will need to be performed. (See LB2XL Troubleshooting for complete details)

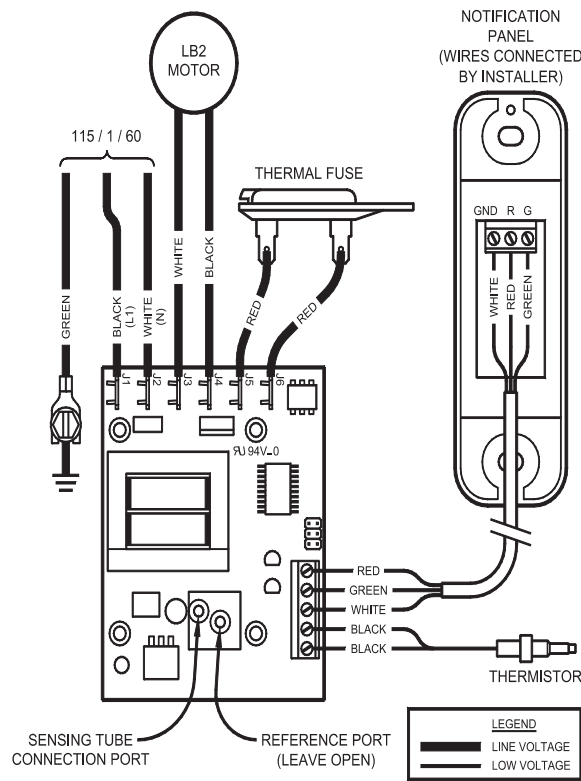
NOTIFICATION PANEL HAS NO LIGHTS:

- The Notification Panel should always have a Green LED light on in at least a slow flash mode (1/2 second on, 2 seconds off). Do Not operate the dryer if there is no Green LED. If no lights are illuminated on the Notification Panel for greater than 5 seconds, there is an issue with the LB2XL installation or the LB2XL. Confirm the LB2XL has Power and that the Notification Panel has been installed (Wired) correctly. If the dryer is operating and there is no Green LED on the Notification Panel, stop the dryer immediately and have the vent system inspected by someone qualified to do so. Contact Tjernlund at 1-800-255-4208 with further questions. (See LB2XL Troubleshooting for complete details)

LB2XL ELECTRICAL BOX COMPONENTS



LB2XL WIRING CONNECTIONS (INSTALLER MUST CONNECT SUPPLY POWER AND WIRES TO NOTIFICATION PANEL)



Reference Dryer Manufacturer's recommendations for Dryer exhaust vent cleaning and maintenance. Depending on use, but at least every 2 years, we recommend cleaning the dryer exhaust vent. On an annual basis make sure that exhaust hood flapper or backdraft damper is clean of lint and moves freely. The LB2XL motor is maintenance free. If the LB2XL is acting erratically, perform the calibration procedure as outlined on page 3. The fan impeller is designed for particulate handling, however, if cleaning is needed perform the steps below.

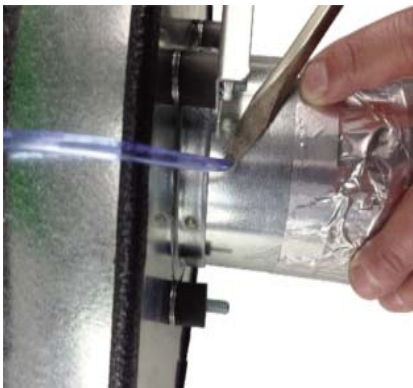
WARNING: Do not blow into the pressure sampling tube in the direction of the circuit board. The pressure sensor is a very sensitive device that can be destroyed if subjected to the pressure created by someone blowing strongly into it.

CLEANING INSTRUCTIONS

WARNING: Disconnect Power to the LB2XL before servicing.

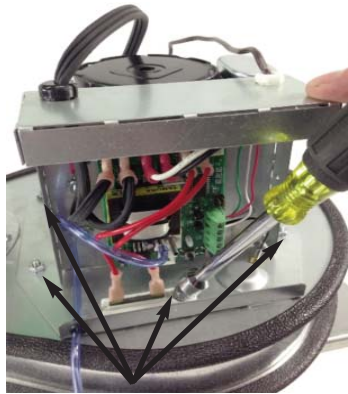
1. Loosen the electrical box cover screws from the LB2XL using a ¼" nut runner to access the housing cover plate stud within the box.
2. Carefully remove sensing tube from inlet pipe by prying loose with a screwdriver, (See Diagram M).
3. Remove the (6) 8-32 nuts from the outside edges of the housing cover plate, (See Diagram N).
4. Carefully remove the Motor / Impeller assembly by lifting the assembly straight off the housing studs, (See Diagram O).
5. Clean the Impeller and Housing
6. Reassemble in the reverse order.
7. Re-calibrate the LB2XL. See LB2XL Calibration Procedure on page 3.

DIAGRAM M



CAREFULLY REMOVE SENSING TUBE FROM INLET PIPE BY PRYING LOOSE WITH A SCREWDRIVER UNDERNEATH TUBING.

DIAGRAM N



REMOVE (6) 8-32 NUTS FROM OUTSIDE EDGES OF MOTOR / IMPELLER ASSEMBLY.

DIAGRAM O



CAREFULLY REMOVE MOTOR / IMPELLER ASSEMBLY.

If you have any questions about your LB2XL we suggest that you contact your installer, contractor or service agency. If you require technical information contact Tjernlund Products, Inc. at 1-800-255-4208 or visit www.tjernlund.com.

When contacting Tjernlund Products, Inc., please have the following information available:

1. Name and address of installer and service agency.
2. Job code on nameplate, date of original installation and dates any service work was performed.

LB2XL TROUBLESHOOTING

IMPORTANT: All faults are indicated by the Red LED light or no Lights on Notification Panel. Faults must be investigated as outlined below and must only be cleared once a thorough investigation of the dryer vent system and dryer has been performed by someone qualified to do so. Perform LB2XL Calibration Procedure on Page 3 to clear any faults once investigation is complete.

NOTIFICATION PANEL HAS NO LIGHTS:

The Notification Panel should always have a Green LED light on in at least a slow flash mode (1/2 second on, 2 seconds off). Do Not operate the dryer if there is no Green LED. If no lights are illuminated on the Notification Panel for greater than 5 seconds, there is an issue with the LB2XL installation or the LB2XL. Confirm the LB2XL has Power and that the Notification Panel has been installed (Wired) correctly. If the dryer is operating and there is no Green LED on the Notification Panel, stop the dryer immediately and have the vent system inspected by someone qualified to do so. Contact Tjernlund at 1-800-255-4208 with further questions.

PRESSURE FAULT MODE: (Red LED flashing)

If at anytime during the calibration or operating cycle of the LB2XL and the Dryer there is excessive positive pressure of +0.16" W.C. sensed for over four minutes, the Notification Panel will flash the Red LED. Stop the dryer immediately and have the vent system inspected by a qualified person. This is an indication of excessive back pressure in the vent system. Verify LB2XL is located per

Minimum Distance Chart From Dryer on page 1. Move LB2XL further away from dryer if necessary. Make sure termination hood flapper or backdraft damper opens. Check for blockage in vent between LB2XL and hood. Verify the LB2XL motor is coming on when the dryer turns on. If the motor is not turning on, make sure the dryer and vent is completely cool and perform the LB2XL Calibration Procedure on Page 3. If motor still does not turn on after being recalibrated, remove power from the LB2XL and remove the RED leads from thermal fuse and check for continuity across the thermal fuse, if open replace fuse and inspect dryer vent system and dryer thoroughly for signs of vent blockage and high heat. If thermal fuse is closed replace RED leads on fuse and apply 115 VAC to LB2XL motor leads to verify motor is good. If motor is good, replace LB2XL circuit board. If motor is bad, replace motor.

If there is excessive negative pressure over -1.00" W.C. sensed, that might be an indication that the dryer vent run is too long on inlet side of LB2XL or the dryer lint trap or any secondary lint trap, if installed, needs to be cleaned. Clean Dryer and Secondary Lint Traps and verify total equivalent vent length and LB2XL mounting location conforms with Minimum and Maximum Dryer Duct Length Section on Page 1. Move LB2XL closer to dryer if necessary. Perform LB2XL Calibration Procedure on Page 3 to clear any faults once investigation is complete.

TEMPERATURE FAULT MODE: (Red LED solid)

If at anytime excessive temperature is sensed by the LB2XL thermistor for 15 seconds, the LB2XL will shut off and display a constant Red LED. Stop the dryer immediately and have the vent system inspected for signs of blockage or high heat by a qualified person. Remove power from the LB2XL and remove the RED leads from thermal fuse and check for continuity across the thermal fuse, if open replace fuse and inspect dryer vent system and dryer thoroughly for signs of vent blockage and high heat. Perform LB2XL Calibration Procedure on Page 3 to clear any faults once investigation is complete.

REPLACEMENT PARTS AND WARRANTY

<u>DESCRIPTION</u>	<u>PART NUMBER</u>	<u>WHAT IS NOT COVERED</u>
Sensing Tube Kit	950-9130	Product installed contrary to our installation instructions.
LB2 / LB2XL Circuit Board	950-9134	Any freight charges related to the return of the defective part.
LB2XL Motor Kit	950-9103	Product that has been altered, neglected or misused.
Thermal fuse Kit	950-9132	
Thermistor Kit	950-9133	
Notification Assembly Kit	950-9131	
Secondary 4" Lint Trap	LT4	

TJERNLUND LIMITED FIVE YEAR MATERIAL AND NO-CLOG WARRANTY

Tjernlund Products, Inc. warrants to the original purchaser of this product that the product will be free from defects due to faulty material or workmanship for a period of (5) years from the date of original purchase or delivery to the original purchaser, whichever is earlier. Remedies under this warranty are limited to repairing or replacing, at our option, any product which shall, within the above stated warranty period, be returned to Tjernlund Products, Inc. at the address listed below, postage prepaid. Additionally, Tjernlund warrants to the original purchaser of this product that the unit will not become inoperable due to lint blockages that restrict the impeller's motion for a period of (5) years from the date of original purchase or delivery to the original purchaser, whichever is earlier. THERE ARE NO WARRANTIES WHICH EXTEND BEYOND THE DESCRIPTION ON THE FACE HEREOF, AND TJERNLUND PRODUCTS, INC. EXPRESSLY DISCLAIMS LIABILITY FOR INCIDENTAL OR CONSEQUENTIAL DAMAGES ARISING FROM THE USE OF THIS PRODUCT. THESE WARRANTIES ARE IN LIEU OF ALL OTHER EXPRESS WARRANTIES AND NO AGENT IS AUTHORIZED TO ASSUME FOR US ANY LIABILITY ADDITIONAL TO THOSE SET FORTH IN THESE LIMITED WARRANTIES. IMPLIED WARRANTIES ARE LIMITED TO THE STATED DURATION OF THIS LIMITED WARRANTY. Some states do not allow limitation on how long an implied warranty lasts, so that limitation may not apply to you. In addition, some states do not allow the exclusion or limitation of incidental or consequential damages, so that above limitation or exclusion may not apply to you. This warranty gives you specific legal rights and you may also have other rights which may vary from State to State. Send all inquiries regarding warranty work to Tjernlund Products, Inc. 1601 9th Street, White Bear Lake, MN 55110-6794. Phone (651) 426-2993 • (800) 255-4208 • Fax (651) 426-9547 • Email fanmail@tjfans.com.