



# Submittal Data Sheet

## FSAD10-115 AUTO-DRAFT® INDUCER

Job Name: \_\_\_\_\_

Equipment Rep: \_\_\_\_\_

Contractor: \_\_\_\_\_

Prepared By: \_\_\_\_\_

Arch./Engr.: \_\_\_\_\_

Date: \_\_\_\_\_

**Description:**

Exterior mount fixed speed mechanical draft inducer is ETL Listed for vertical and sidewall venting. Assures a negative pressure throughout the entire vent system. Features integral stainless steel handles and hinged housing with removable hinge pin for ease of installation and service. Integral tilt switch stops fan operation if housing is opened. Includes motor winding and compartment Limit Switches and PSA-1 Fan Proving switch.

**Housing Construction:**

Venter housing is constructed of 5/32" Type 5052 aluminum and coated with bronze toned, high-temperature, corrosion resistant Ryton® PPS which offers the broadest resistance to chemicals of any advanced engineered plastic.

**Impeller Construction:**

Backward inclined Impeller is constructed of Type 304 stainless steel and computer balanced.

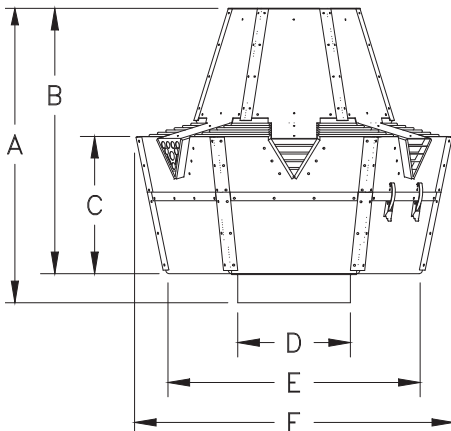
**Motor:**

Split phase, 115 VAC, 60 Hz, permanently lubricated, sealed ball bearing. Fixed speed 1725 RPM.

Incorporates patented thermally actuated motor cooling system for extended motor life.

**Temperature Rating:**

U.S. 500° F  
Canada 575° F / 300° C



**Listings:**

ETL # 56826  
UL 378 - Draft Equipment / Variable Speed  
CSA-CAN3-B255-M81 / CSA-B140-M87



**Warranty:**

2 year mechanical  
10 year corrosion

**Standard Equipment:**

- 4" x 4" weatherproof junction box with 4' conduit
- PSA-1 Fan Proving Switch
- Mounting Plate
- Inlet Collar

**Optional Equipment:**

- RMK or WMK Series ETL approved Roof / Wall Mount kits
- ABD-Series Stainless Steel Adjustable Balancing Dampers 4-10", 12" & 14" models

**Optional Controls:**

- UC1 Universal Control
- MAC1E, MAC4E Multiple Appliance Control (Requires UC1)
- WHKE Millivolt Interlock Kit (Requires UC1)

MODEL		FSAD10-115	
Fan Type		Centrifugal Impeller	
Voltage	VAC	115	
RPM		1725	
Amps	A	7.2	
Power Rating	hp	1/2	
	kW	0.37	
Weight	lbs	97	
	kgs	43.99	
Dimensions	A	in	25
		mm	635
	B	in	23
		mm	585
	C	in	11 1/8
		mm	283
D	in	9 7/8	
	mm	251	
E	in	20	
	mm	508	
F	in	24 3/4	
	mm	629	
Motor Soft Start Required		No	
Variable Speed Motor		No	