



# VSSI-SERIES SQUARE IN-LINE FAN

## Product & System Overview

### Description:

VSSI-Series Variable Speed Square In-line Fans are suitable for providing combustion air and/or ventilation.

Use with the CPC-3 Constant Pressure Controller, closed-loop VFD, and TD-Series Pressure Transducer for an automatic-variable speed system which will modulate to always deliver the perfect amount of combustion air or ventilation. For an adjustable-fixed speed system, use an open-loop VFD to manually adjust the speed of the VSSI.

### Housing Construction:

Constructed of heavy-gauge galvanized steel. Removable side panels provide access to motor assembly without removal of the duct connections.

### Impeller Construction:

Backward inclined, non-overloading, aluminum wheel that is statically and dynamically balanced.

### Motor:

Three phase, 208-230/460 VAC, TEFC, E-PLUS 3, Inverter Duty Rated.

### Standard Equipment:

- Motor Cover
- Vibration Isolators - Floor Mount, Neoprene
- Disconnect Switch - Unfused (NEMA 1), Shipped Loose
- PSA-1 Fan Proving Switch

### Optional Equipment:

- CPC-3 Constant Pressure Controller
- IPS-1 Indoor Pressure Sensor with Decorative Cover Fitting
- TD-Series Pressure Transducer
- VFD-Series Variable Frequency Drive
- FFP-1 Fire and Freeze Protection Limit

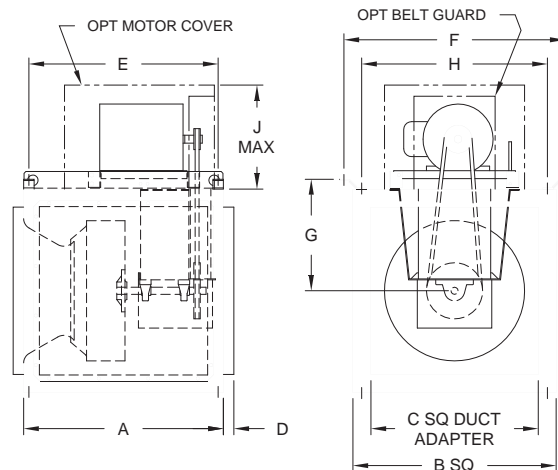
### Listings:

UL 705 - Power Venters

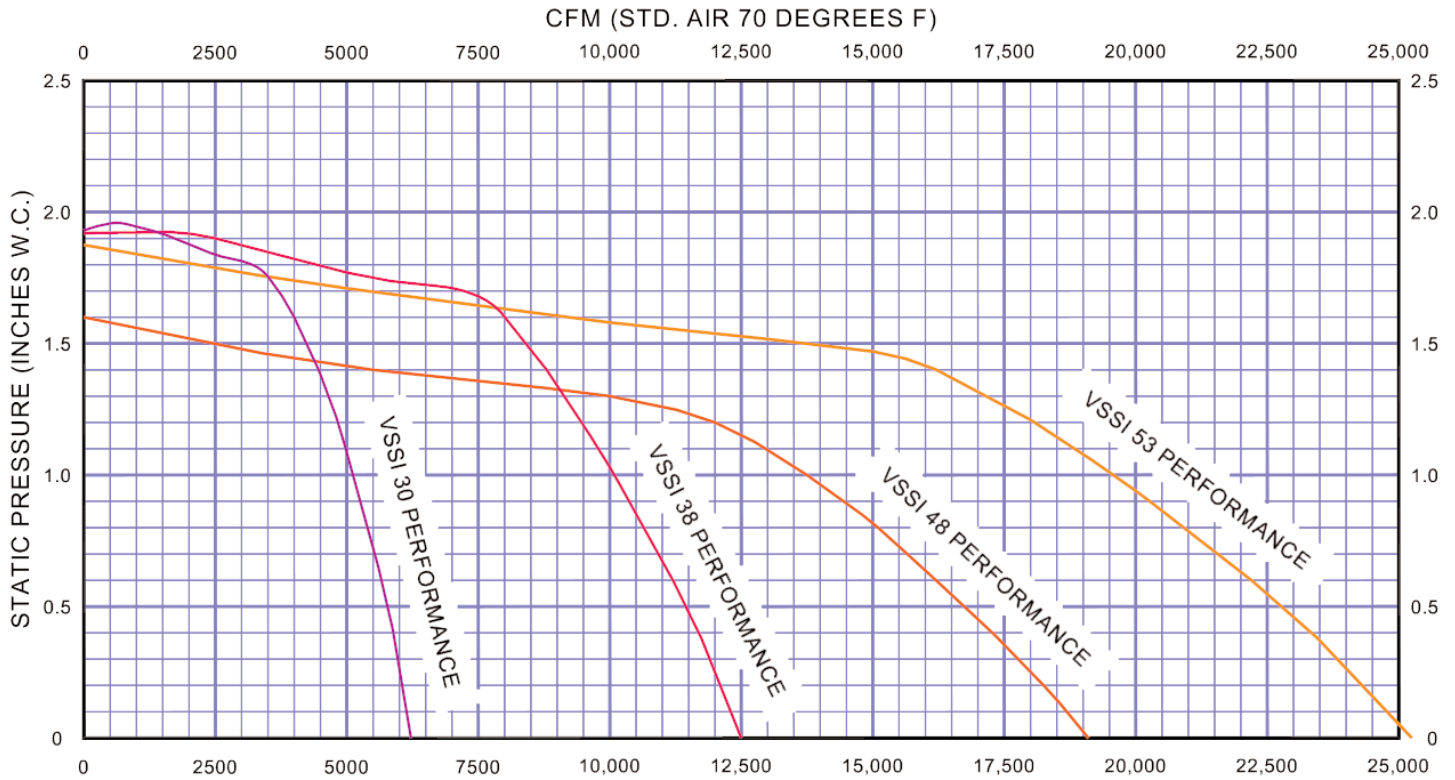
### Temperature Rating:

120° F / 49° C

| VSSI SERIES         | VSSI30          | VSSI38          | VSSI48          | VSSI53          |
|---------------------|-----------------|-----------------|-----------------|-----------------|
| Fan Type            | Centrifugal     | Centrifugal     | Centrifugal     | Centrifugal     |
| Voltage             | 3x230 / 3x460   | 3x230 / 3x460   | 3x230 / 3x460   | 3x230 / 3x460   |
| Amps                | 5.97 / 2.70     | 13.71 / 6.20    | 13.71 / 6.20    | 19.68 / 8.90    |
| RPM                 | 1140            | 900             | 550             | 535             |
| Power Rating        | 2 HP            | 5 HP            | 5 HP            | 7½ HP           |
| Dimension A         | 32.00"          | 39.00"          | 48.50"          | 52.00"          |
| Dimension B         | 32.34"          | 40.13"          | 50.13"          | 55.25"          |
| Dimension C         | 27.88"          | 35.88"          | 45.88"          | 51.88"          |
| Dimension D         | 1.50"           | 1.50"           | 1.50"           | 1.50"           |
| Dimension E         | 30.50"          | 37.50"          | 46.50"          | 50.00"          |
| Dimension F         | 35.06"          | 43.00"          | 52.94"          | 58.19"          |
| Dimension G         | 17.54"          | 21.45"          | 26.44"          | 29.09"          |
| Dimension H         | 30.00"          | 37.88"          | 47.88"          | 53.13"          |
| Dimension J         | 16.25"          | 18.50"          | 20.00"          | 20.00"          |
| Damper Size         | 28.00" x 28.00" | 36.00" X 36.00" | 46.00" X 46.00" | 52.00" X 52.00" |
| Avg. Ship Wt.       | 223 Lbs         | 394 Lbs         | 665 Lbs         | 743 Lbs         |
| Side Discharge Size | 27.88" x 27.88" | 29.88" X 33.88" | 32.88" X 41.88" | 34.88" X 46.88" |



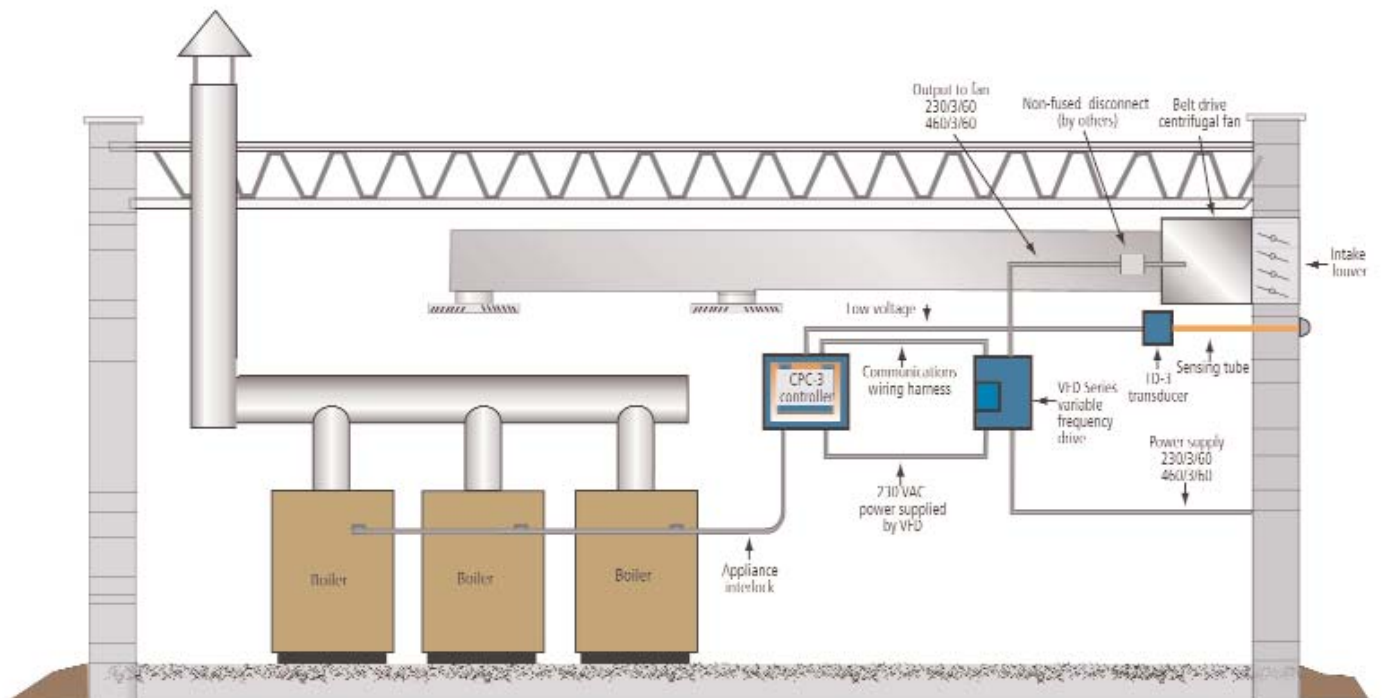
# VSSI-SERIES FAN CURVES



## RECOMMENDED LAYOUT DIAGRAMS



### Mechanical Combustion Air with VSSI-Series Blower



# RECOMMENDED LAYOUT DIAGRAMS (Continued)



## Sealed Mechanical Combustion Air with VSSI Series Blower

