



Submittal Data Sheet

VSUB12 Variable Speed Universal Blower

Job Name: _____

Equipment Rep: _____

Contractor: _____

Prepared By: _____

Arch./Engr.: _____

Date: _____

Description:

The VSUB12 Variable Speed Universal Blower is suitable for providing combustion air or sidewall or vertically venting non-condensing (condensing applications require model VSUB12R with Ryton® coated impeller) heating appliances, dryers and ovens. Can be installed indoors or outdoors.

Use with the CPC-3 Constant Pressure Controller, Closed Loop VFD and TD-Series Pressure Transducer for an Automatic-Variable Speed system which will modulate to always deliver the perfect amount of draft or combustion air. For an Adjustable-Fixed Speed system, use an Open Loop VFD to manually adjust speed of the VSUB.

Housing Construction:

Constructed of 14-gauge, Type 316L stainless steel with continuous welds. The blower outlet rotates 180° for installation flexibility. The motor chassis slides away from the housing on polyethylene guides for easy motor and impeller access.

Impeller:

Backward inclined, high temperature coated, Class 1 impeller is both dynamically and statically balanced with permanently attached balancing weights.

Motor:

Three phase, 1 HP, 208-230/460 VAC, TEFC, EPACT High Efficiency Rated, arctic-duty, thermal overload protected, permanently lubricated and sealed ball bearing.

Standard Equipment:

- 4" x 4" weatherproof junction box with 4' conduit
- Square to round vent pipe adapter
- PSA-1 Fan Proving Switch
- FFP-1 Freeze and Fire Protection Limit (FFP-1 For combustion air applications only!)
- Condensate drain kit

Optional Controls:

- CPC-3 Constant Pressure Controller
- IPS-1 Indoor Pressure Sensor decorative cover, fittings
- TD-2 Pressure Transducer (+0.15" to -0.60" w.c.)
For draft or "Sealed" (ducted sealed combustion air) sensing
- TD-3 Pressure Transducer (+0.10" to -0.10" w.c.)
For "Open" (room pressure) combustion air sensing
- VFD-Series Variable Frequency Drives

Temperature Rating:

U.S. and Canada 575°F / 300°C

Listings:

ETL # 56826
 UL 378 - Draft Equipment / Variable Speed
 UL 705 - Power Ventilators
 CSA-CAN3-B255-M81

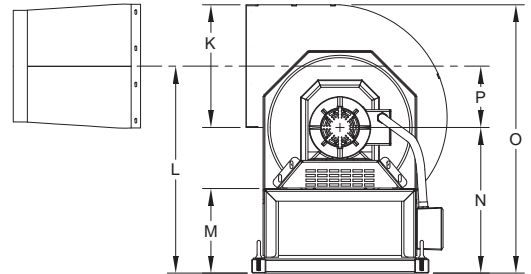


Warranty:

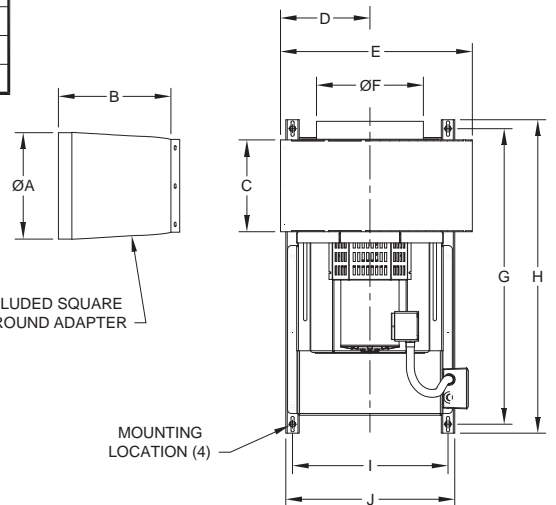
2 year mechanical

Model VSUB12	208-230 Volt	460 Volt
Power hp	1	1
Amps A	3.2 - 3.0	1.5
Voltage VAC	3x208-230	3x460
Weight	205 Lbs. / 93 Kgs.	

	VSUB12
A	11 7/8"
B	12 1/2"
C	9 5/8"
D	10 1/8"
E	21 7/16"
F	11 15/16"
G	33"
H	35"
I	17 3/8"
J	18 7/8"
K	13 1/4"
L	21 13/16"
M	8 7/8"
N	15 7/16"
O	28 7/16"
P	6 5/16"



END VIEW



TOP VIEW