

HS-3 MOTOR SPECIFICATIONS	
ELECTRICAL DATA	
VOLTS	115
HERTZ	60
RPM	1800
HP	1/4
AMPS	2.57
THERM PROT.	YES
MECHANICAL DATA	
DESCRIPTION:	
PERM. SPLIT CAP	YES
OPEN	YES
INT. FAN COOLED	NO
CASING	
DIAMETER (IN)	5.63/48 FR
NOM. LENGTH (IN)	5.00
SHAFT:	
DIAMETER (IN)	.500
NOM. LENGTH (IN)	3.38
BEARINGS	
TYPE	SLEEVE
MATERIAL	BABBITED STEEL
COMPONENT DESCRIPTION	
MOTOR RELAY:	
COIL	- 46mA @ 24 VAC
CONTACTS	- 1/3 Hp @ 120 VAC
FAN PROVING SWITCH:	
	28 VA PILOT DUTY @ 24 VAC
FAN PROVING SWITCH ISOLATION RELAY:	
COIL	- 46mA @ 24 VAC
CONTACTS	- 278 VA PILOT DUTY @ 24 VAC



# TJERNLUND PRODUCTS, INC.

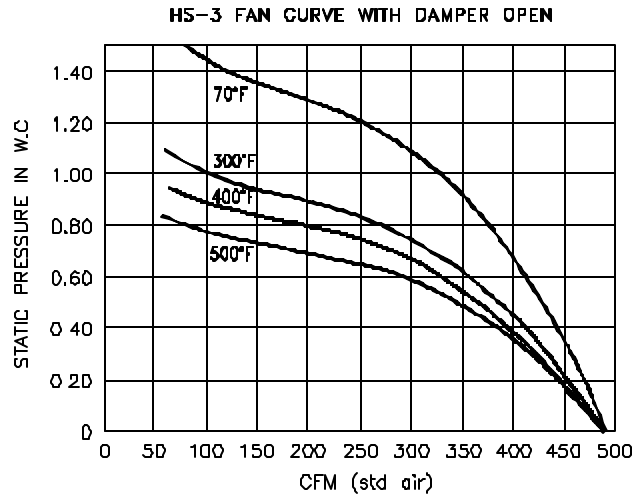
1601 Ninth Street • White Bear Lake, MN 55110-6794  
 PHONE (800) 255-4208 • (651) 426-2993 • FAX (651) 426-9547  
 Visit our web site • www.tjernlund.com

## HS-3 POWER VENTER SPECIFICATIONS

### DESCRIPTION OF APPLICATION

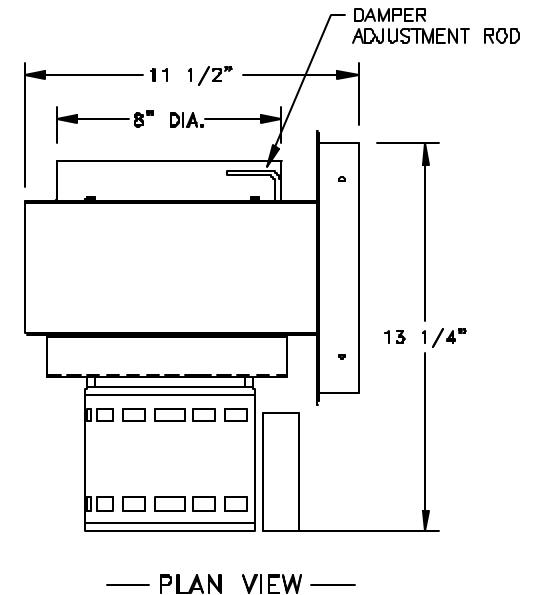
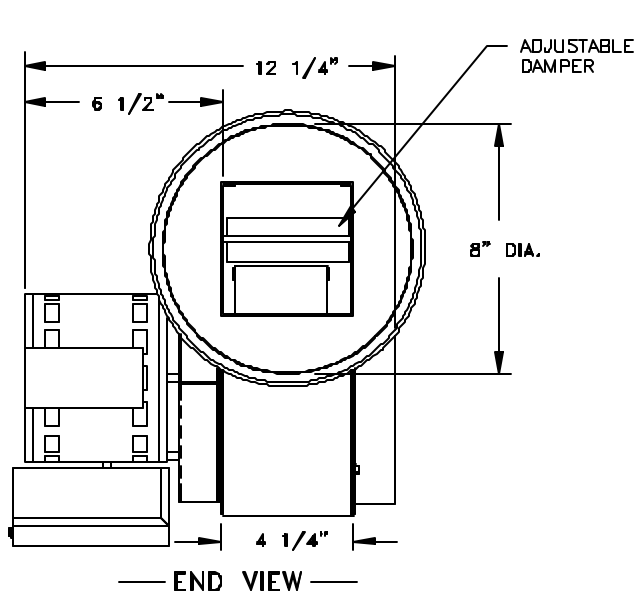
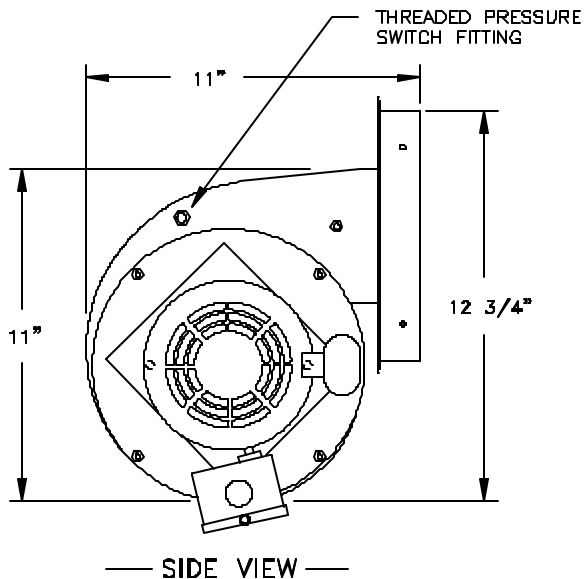
Used as a means of Side Wall venting gas fired commercial heating appliances. This Power Venter Includes a Motor switching Relay and Fan Proving Switch with an Isolation Relay.

Note: Tjernlund Products reserves the right to make changes to specifications without notification.



MODEL NUMBERS	VENT PIPE DIA.	BTU/HR INPUT	MAXIMUM PIPE LENGTH (FT) AT STACK TEMP	
			100% DILUTION, 300°F	25% DILUTION, 400°F
			GAS FIRED ATMOSPHERIC WITH DRAFT HOOD OR DRAFT DIVERTER	GAS FIRED POWER BURNER WITH BAROMETRIC DRAFT CONTROL
HS-3	8"	450,000 500,000 600,000 700,000	100' 100' 100' 7'	100' 100' 100' 100'
	10"	450,000 500,000 600,000 700,000	100' 100' 100' 21'	100' 100' 100' 100'

P/N B506002 REV A, 04/99  
 D/N 2152054





# TJERNLUND PRODUCTS, INC.

1601 Ninth Street • White Bear Lake, MN 55110-6794  
 PHONE (800) 255-4208 • (651) 426-2993 • FAX (651) 426-9547  
 Visit our web site • www.tjernlund.com

## HS-4 POWER VENTER SPECIFICATIONS

### HS-4 MOTOR SPECIFICATIONS

#### ELECTRICAL DATA

VOLTS	115
HERTZ	60
RPM	1725
HP	1/3
AMPS	5.8
THERM. PROT	YES

#### MECHANICAL DATA

##### DESCRIPTION:

SPLIT PHASE CAP START/YES	
OPEN	YES
INT. FAN COOLED	NO

##### CASING:

DIAMETER (IN)	5.63/48 FR
NOM. LENGTH (IN)	8.58

##### SHAFT:

DIAMETER (IN)	.500
NOM LENGTH (IN)	1.56

##### BEARINGS:

TYPE	SLEEVE
MATERIAL	BABBITED STEEL

#### COMPONENT DESCRIPTION

##### MOTOR RELAY:

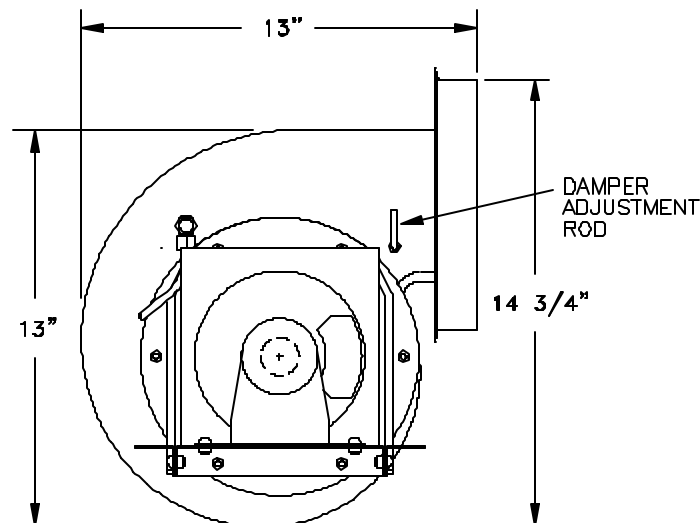
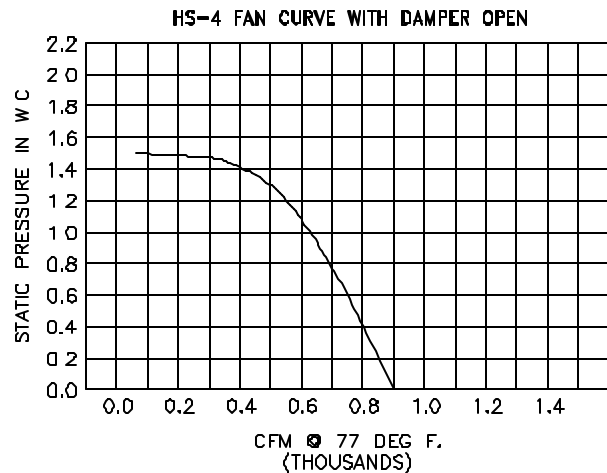
COIL	- 46mA @ 24 VAC
CONTACTS	- 1/3 Hp @ 120 VAC

##### FAN PROVING SWITCH:

28 VA PILOT DUTY	@ 24 VAC
------------------	----------

##### FAN PROVING SWITCH ISOLATION RELAY:

COIL	- 46mA @ 24 VAC
CONTACTS	- 278 VA PILOT DUTY @ 24 VAC



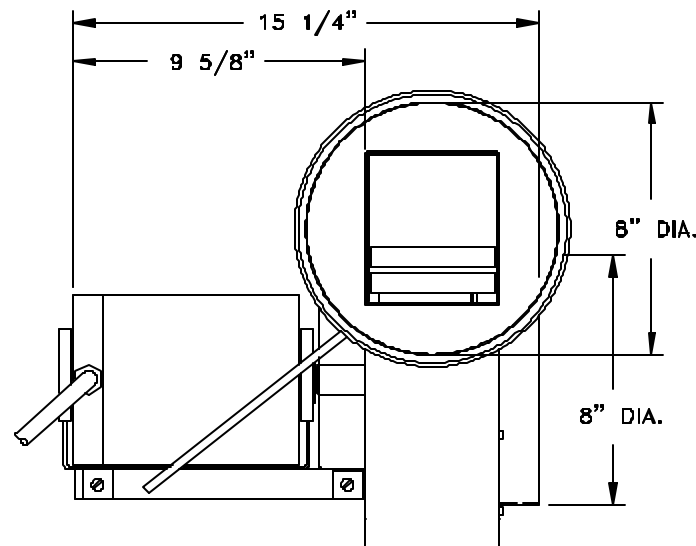
— SIDE VIEW —

MODEL NUMBERS	VENT PIPE DIA	BTU/HR INPUT	MAXIMUM PIPE LENGTH (FT) AT STACK TEMP	
			100% DILUTION, 300°F	25% DILUTION, 400°F
			GAS FIRED ATMOSPHERIC WITH DRAFT HOOD OR DRAFT DIVERTER	GAS FIRED POWER BURNER WITH BAROMETRIC DRAFT CONTROL
HS-4 115 VAC 1/3 HP 5.8 AMP	8"	700,000	100'	100'
		800,000	100'	100'
		900,000	100'	100'
		1,000,000	70'	100'
		1,100,000	32'	100'
		1,200,000	5'	100'
	10"	700,000	100'	100'
		800,000	100'	100'
		900,000	100'	100'
		1,000,000	100'	100'
		1,100,000	97'	100'
		1,200,000	14'	100'
12"	700,000	100'	100'	
	800,000	100'	100'	
	900,000	100'	100'	
	1,000,000	100'	100'	
	1,100,000	100'	100'	
	1,200,000	34'	100'	

#### DESCRIPTION OF APPLICATION

Used as a means of Side Wall venting gas fired commercial heating appliances. This Power Venter includes a Motor switching Relay and Fan Proving Switch with an isolation Relay.

Note: Tjernlund Products reserves the right to make changes to specifications without notification.



— END VIEW —



# TJERNLUND PRODUCTS, INC.

1601 Ninth Street • White Bear Lake, MN 55110-6794  
 PHONE (800) 255-4208 • (651) 426-2993 • FAX (651) 426-9547  
 Visit our web site • www.tjernlund.com

## HS-5 POWER VENTER SPECIFICATIONS

### HS-5 MOTOR SPECIFICATIONS

#### ELECTRICAL DATA

VOLTS	115,208-230
HERTZ	60
RPM	1725
HP	1
FL AMPS	6.2 @ 208 6.3 @ 230 12.6 @ 115V
THERM. PROT.	YES

#### MECHANICAL DATA

##### DESCRIPTION

SPLIT PHASE CAP START	YES
OPEN	YES
INT. FAN COOLED	NO

##### CASING

DIAMETER (IN)	6.38/56 FR
NOM. LENGTH (IN)	9.38

##### SHAFT:

DIAMETER (IN)	.625
NOM. LENGTH (IN)	1.94

##### BEARINGS:

TYPE	SLEEVE
MATERIAL	HABBITED STEEL

#### COMPONENT DESCRIPTION

##### MOTOR RELAY

COIL	- 125mA @ 24 VAC
CONTACTS	- 1 1/2 Hp @ 120 VAC

##### FAN PROVING SWITCH

28 VA PILOT DUTY	@ 24 VAC
------------------	----------

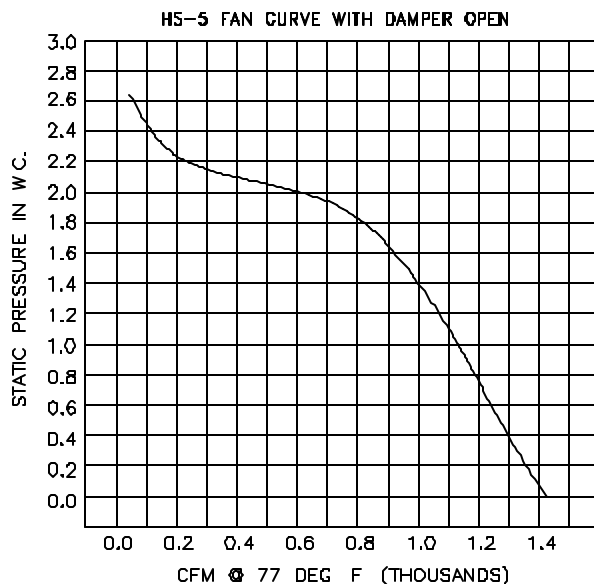
##### FAN PROVING SWITCH ISOLATION RELAY:

COIL	- 46mA @ 24 VAC
CONTACTS	- 278 VA PILOT DUTY @ 24 VAC

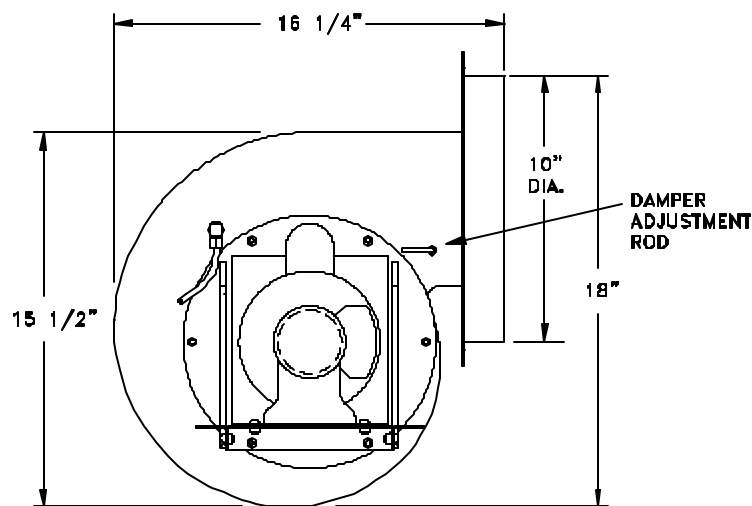
#### DESCRIPTION OF APPLICATION

Used as a means of Side Wall venting gas fired commercial heating appliances. This Power Venter includes a Motor switching Relay and Fan Proving Switch with an Isolation Relay.

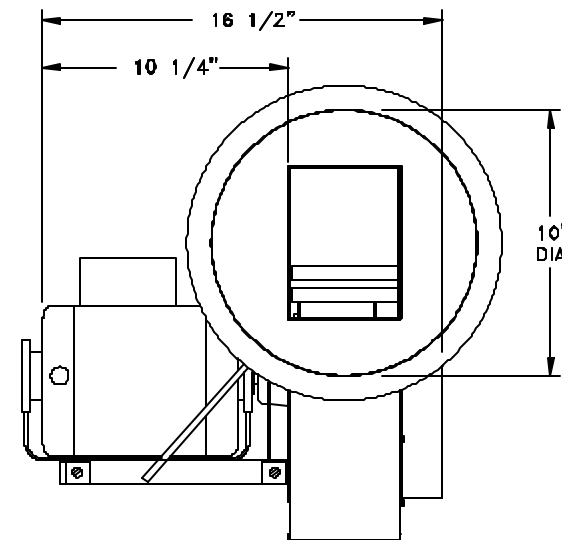
Note: Tjernlund Products reserves the right to make changes to specifications without notification.



MODEL NUMBERS	VENT PIPE DIA	BTU/HR INPUT	MAXIMUM PIPE LENGTH (FT) AT STACK TEMP	
			100% DILUTION, 300°F	25% DILUTION, 400°F
			GAS FIRED ATMOSPHERIC WITH DRAFT HOOD OR DRAFT DIVERTER	GAS FIRED POWER BURNER WITH BAROMETRIC DRAFT CONTROL
HS-5 115/208/230 VAC 1 HP 6.2 AMP @ 208 6.3 AMP @ 230 12.6 AMP @ 115	10"	1,200,000	100'	100'
		1,400,000	100'	100'
		1,600,000	100'	100'
	12"	1,825,000	28'	100'
		1,200,000	100'	100'
		1,400,000	100'	100'
14"	1,600,000	100'	100'	
	1,825,000	100'	100'	
	1,200,000	100'	100'	



— SIDE VIEW —



— END VIEW —