

Submittal Data Sheet Model DE160

Job Name: _____

Equipment Rep: _____

Contractor: _____

Tjernlund Contact: _____

Arch./Engr.: _____

Date: _____

Description:

The DE160 maintains clothes dryer exhaust air velocities at proper levels when dryer exhaust duct lengths exceed dryer manufacturer recommendations. Suitable for up to 100 equivalent feet of duct.

Housing:

22 gauge G90 galvanized steel. Features rubber isolated mounting brackets which minimize vibration transfer.

Control:

Pressure sensing with self-cleaning sensing tube design. Automatically activates fan based on operation of dryer.

Material Handling Impeller:

The Lint Blitzer™ Reverse inclined, particulate handling impeller repels lint. 18 gauge G90 galvanized steel.

Motor:

PSC, permanently lubricated ball bearing motor is located outside the dryer exhaust air stream to prevent exposure to heat, lint and moisture.

Supply Power:

Six foot 115 VAC power cord factory installed and pre-wired. Requires installation adjacent to a standard electrical outlet. Automatically actuated by pressure sensing control.

Installation Notes:

Can be installed with discharge in horizontal or vertical orientations. Vertical orientations must discharge facing up.

Suitable for installation in ambient temperatures between: -20° F and 140° F (-29° C and 60° C). Suitable for dryer duct temperatures up to 175° F (80° C).

Warranty:

Five (5) year material, workmanship and no-clog guarantee.

Typical Specification:

Device shall be Tjernlund Model DE160.

Device shall include a five (5) year material, workmanship and no-clog guarantee.

Device shall feature a metal, reverse-inclined particulate handling impeller that will not clog with lint.

Device shall feature a self-cleaning pressure sensing tube.

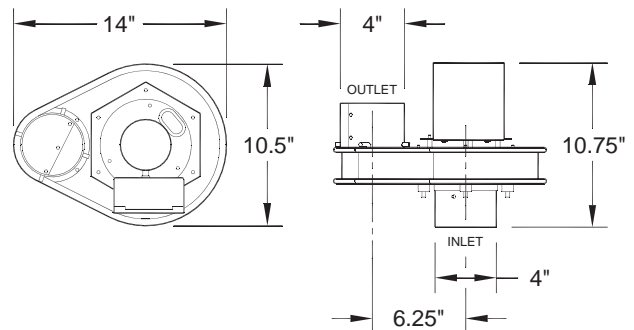
Device shall feature a motor located outside the dryer exhaust air stream.

Device shall feature a rubber isolated mounting bracket.

Device shall be acceptable for installation in unattended spaces.

Device shall be Listed in the USA to ANSI/UL 507 and in Canada to CSA C22.2 #113-M.

Dimensions:



Specifications:

MODEL DE160				
Volts	Amps	Watts	RPM	CFM
120	0.8	75	3000	160

