



R-Series Radon Mitigation Fans

Product & System Overview



Description:

The R-Series Radon Fans span a wide range of both pressure and flow performance. All feature waterproof electrical junction box covers and high quality, maintenance-free motors made by ebm-papst.

The R4B & R4BC Commercial wall hugging low profile designs are the choice for discrete, architecturally sensitive, exterior wall installations.

Housing Construction:

The R-Series housings are constructed of non-yellowing, UV resistant, fiberglass reinforced polyester with a light gray finish.

The R4B & R4BC are constructed of heavy duty 20 gauge steel with white powder coat finish and stainless steel hardware.

Motor:

German made ebm-papst motors for quiet, efficient and high performance operation.

Listings:

UL # E364664

Warranty:

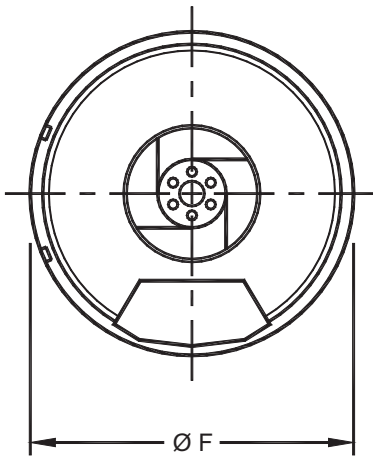
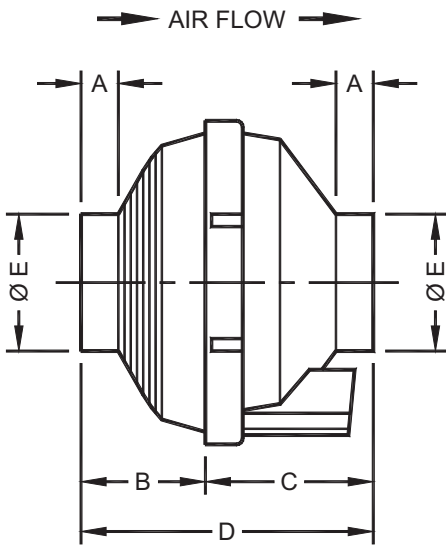
5 year full replacement

Optional Equipment:

- Rubber Couplers: RC3X3", RC4X3", RC4X4", RC6X4"
- Power Cord
- Mounting Bracket

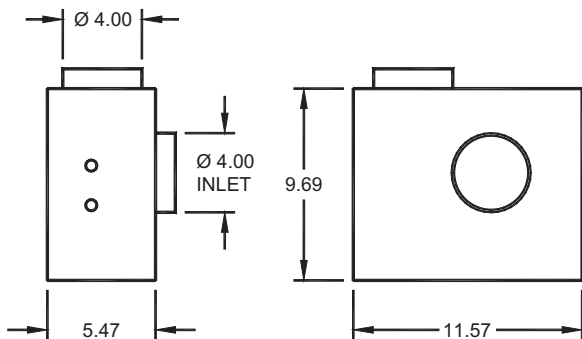


R-Series Dimensional Data

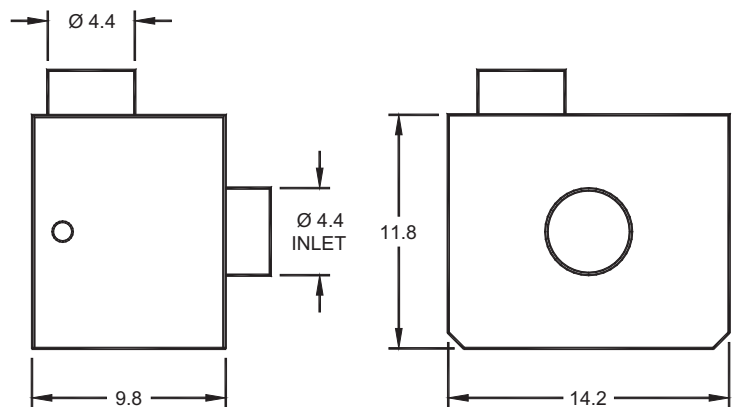


	DIMENSIONS IN INCHES					
	A	B	C	D	Ø E	Ø F
R3HF	1.25	3.56	5.69	9.25	3.40	12.06
R4HF	1.25	3.56	5.69	9.25	4.40	12.06
R5HF	1.25	3.56	5.69	9.25	5.88	12.06
R3LW	1.25	3.81	5.69	9.50	5.00	8.00
R5LW	1.25	3.56	5.69	9.25	5.88	12.06
R3HS	1.25	3.56	5.69	9.25	3.40	12.06
R8C	1.25	3.74	5.83	9.57	7.87	13.86

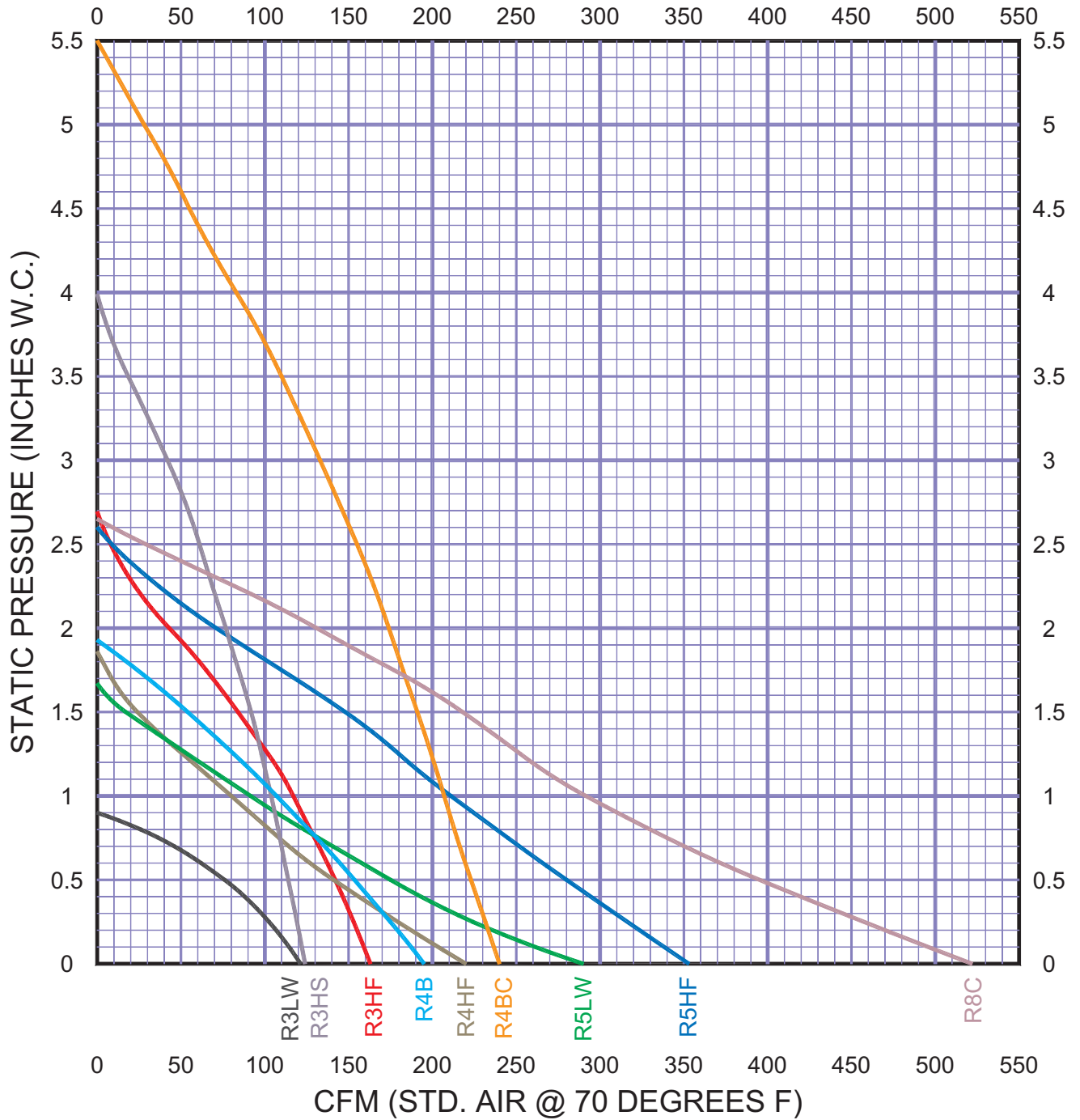
R4B DIMENSIONS IN INCHES



R4BC DIMENSIONS IN INCHES



R-Series Fan Curves



R-Series Comparison

MODEL	MAX. FLOW CU. FT. / MIN.	STATIC PRESSURE	RESULTS
R3HF	163	2.71"	Moderate Suction, Low Flow
R4HF	220	1.88"	Low Suction, Moderate Flow
R5HF	353	2.60"	Moderate Suction, Very High Flow
R3LW	121	0.90"	Low Suction, Low Flow
R5LW	294	1.75"	Low Suction, High Flow
R3HS	124	3.99"	High Suction, Low Flow
R4B	195	1.90"	Low Suction, Low to Moderate Flow
R4BC	240	5.51"	Very High Suction, Moderate Flow
R8C	520	2.65"	Moderate Suction, Extremely High Flow

R-Series Cross Reference

MODEL	MAX. FLOW CU. FT. / MIN.	STATIC PRESSURE	COMPETITORS	MAX. FLOW CU. FT. / MIN.	STATIC PRESSURE
R3HF	163	2.71"	RadonAway GP201	100	2.00"
			RadonAway GP301	110	2.60"
R4HF	220	1.88"	RadonAway XP151	170	1.60"
			RadonAway XP201	150	2.00"
			RadonAway XP145	173	1.70"
			Fantech FR100	108	0.86"
			Fantech HP190	173	1.99"
			Fantech HP2190	163	1.93"
R5HF	353	2.60"	RadonAway RP265	327	2.20"
			Fantech FR160	289	2.32"
			Fantech HP220	345	2.46"
R3LW	121	0.90"	RadonAway RP140	134	0.80"
			Fantech HP2133	134	0.84"
R5LW	294	1.75"	RadonAway RP260	275	1.50"
			RadonAway XR261	250	1.90"
			Fantech FR150	243	1.56"
R3HS	124	3.99"	RadonAway GP401	86	3.40"
			RadonAway GP501	120	4.20"
R4B	195	1.90"	Fantech HP190SL	158	2.14"
R4BC	240	5.51"	NO COMPARISON		
R8C	520	2.65"	Fantech FR225	429	2.48"
			Fantech FR250	563	2.95"

R-Series Application Guide

CONDITIONS	REQUIREMENTS	RECOMMENDATION
Small Footprint Very Porous Subslab	Low Suction, Low Flow	R3LW
Small Footprint Porous Subslab Submembrane	Low Suction, Low to Moderate Flow	R4HF
Small Footprint Porous Subslab Submembrane	Low Suction, Low to Moderate Flow	R4B
Medium Footprint Porous Subslab	Low Suction, Moderate to High Flow	R5LW
Medium-Large Footprint Porous Subslab	Low Suction, Moderate to High Flow	R5LW
Small-Medium Footprint Moderately Compacted Subslab	Moderate Suction, Low Flow	R3HF
Very Large Footprint Porous-SemiPorous Subslab	Moderate Suction, Very High Flow	R5HF
Very Large Footprint Porous Subslab	Moderate Suction, Extremely High Flow	R8C
Large Footprint NonPorous Subslab	High Suction, Low Flow	R3HS
Very Large Footprint Moderately Compacted Subslab	High Suction, Moderate Flow	R4BC